

*North Star*

# MODEL 10 FLAKE ICE MAKER SPECIFICATION SHEET

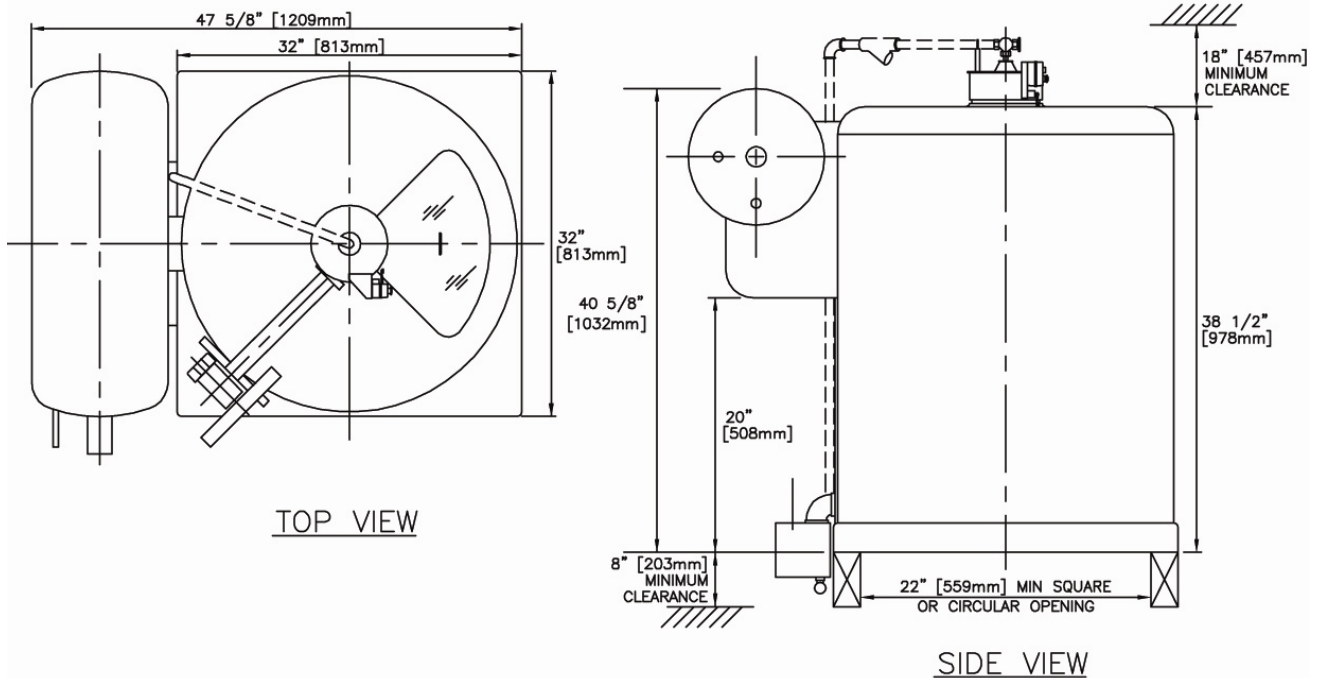


## STANDARD FEATURES

- ◆ Double walled, stationary evaporator. No refrigerant seals to leak.
- ◆ Available with either a solid carbon or stainless steel freezing surface.
- ◆ Protection and safety features include mechanical load limit switch, emergency stop switch, jog switch, inspection hatch safety switch and a drive belt guard.
- ◆ Machine available for shipboard installation to produce seawater ice.
- ◆ Polyurethane insulation enclosed in molded fiberglass covers.
- ◆ Attached accumulator for complete gas- liquid refrigerant separation. (Flooded operation)
- ◆ Patented drip shield to insure complete water-ice separation.
- ◆ Stainless steel water make-up tank and ice removal tools are standard. Other stainless steel options are available.
- ◆ Economical, compact, simple to install and operate with minimal maintenance.
- ◆ LIFETIME WARRANTY on North Star evaporators and PERFORMANCE GUARANTEE.



# North Star Model 10 Operating Data



**Refrigerant Control:** Sporlan Levelmaster

**WEIGHT:** 1,350 lbs - 612 kg  
**VOLUME:** 70 cu ft - 1.9 cu mtr  
**DRIVE MOTOR:** 0.33 HP  
**PUMP MOTOR:** 0.05 HP  
**SUCTION LINE:** 1 1/2" Sch 80  
**LIQUID LINE:** 3/4" Sch 80

**OIL DRAIN LINE:** 1/2" MPT  
**WATER LINE:**  
 Tank Inlet: 1/2" FPT  
 Tank Drain: 3/4" FPT  
 Pump Outlet: 1/4" FPT  
 Flow Control Valve Inlet: 1/2" FPT

REFRIGERANT CAPACITY (Volume .68 Cubic Feet - .02 Cubic Meters)				REFRIGERATION REQUIREMENT (Tons of Refrigeration Per Ton of Ice)					
<b>Freon R-134a:</b>	56 lbs (25 kg)	<b>Freon R-404a:</b>	53 lbs (24 kg)	<b>Water Temperature °F</b>	40	50	60	70	80
<b>Freon R-22:</b>	51 lbs (23 kg)	<b>Ammonia: R-717</b>	26 lbs (12 kg)		<b>Tons of Refrigeration</b>	1.20	1.25	1.30	1.40

## ICE MAKING CAPACITY RANGE GUIDELINE

Evaporator Temperature (°F)	+5	0	-5	-10	-15	-20	-25	-30
<b>Stainless Steel Model</b>	1.9	2.3	2.7	3.2	3.6	3.8	4.0	4.2
	2.6	3.0	3.5	3.9	4.3	4.5	4.7	4.8
<b>Carbon Steel Model</b>	2.1	2.7	3.2	3.8	4.4	4.7	5.0	5.0
	3.0	3.5	4.0	4.6	5.0	5.6	6.0	6.2

\*Capacity based on tons (2,000 pounds) per 24 hours, 1.5 to 2.0mm ice thickness, 60°F make-up water, and oil-free ammonia refrigerant. For other operating conditions and specific capacities, refer to our capacity curves or visit the Ice Maker Selection Tool on our web site at [www.northstarice.com](http://www.northstarice.com). Capacities in *italics* are 2.0mm ice thickness.

**WATER REQUIREMENT: 0.167 GPM PER TON OF ICE PER 24 HOURS**

## THERE'S ONLY ONE NORTH STAR