

*North Star*

# MODEL 20 FLAKE ICE MAKER SPECIFICATION SHEET

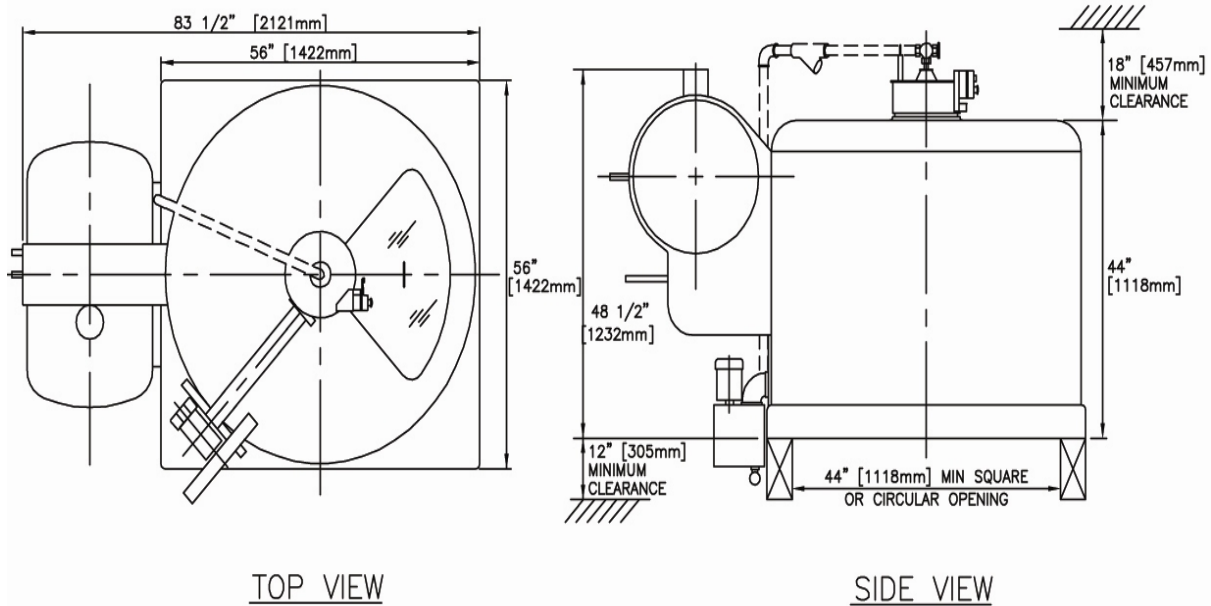


## STANDARD FEATURES

- ◆ Double walled, stationary evaporator. No refrigerant seals to leak.
- ◆ Available with either a solid carbon or stainless steel freezing surface.
- ◆ Protection and safety features include mechanical load limit switch, emergency stop switch, jog switch, inspection hatch safety switch and a drive belt guard.
- ◆ Machine available for shipboard installation to produce seawater ice.
- ◆ Polyurethane insulation enclosed in molded fiberglass covers.
- ◆ Attached accumulator for complete gas- liquid refrigerant separation. (Flooded operation)
- ◆ Patented drip shield to insure complete water-ice separation.
- ◆ Stainless steel water make-up tank and ice removal tools are standard. Other stainless steel options are available.
- ◆ Economical, compact, simple to install and operate with minimal maintenance.
- ◆ LIFETIME WARRANTY on North Star evaporators and PERFORMANCE GUARANTEE.



# North Star Model 20 Operating Data



**Refrigerant Control:** Sporlan Levelmaster or RFS (Refrigerant Float Switch)

**WEIGHT:** 3,800 lbs - 1,705 kg  
**VOLUME:** 240 cu ft - 7.79 cu mtr  
**DRIVE MOTOR:** 0.50 HP  
**PUMP MOTOR:** 0.50 HP  
**SUCTION LINE:** 2 1/2" Sch 40  
**LIQUID LINE:** 1 1/4" Sch 40

**OIL DRAIN LINE:** 1/2" MPT  
**WATER LINE:**  
**Tank Inlet:** 1/2" FPT  
**Tank Drain:** 1 1/4" FPT  
**Pump Outlet:** 1 1/4" FPT  
**Flow Control Valve Inlet:** 1 1/4" FPT

REFRIGERANT CAPACITY (Volume 2.11 Cubic Feet - .06 Cubic Meters)				REFRIGERATION REQUIREMENT (Tons of Refrigeration Per Ton of Ice)					
<b>Freon R-134a</b>	175 lbs (79 kg)	<b>Freon R-404a</b>	166 lbs (75 kg)	<b>Water Temperature °F</b>	40	50	60	70	80
<b>Freon R-22</b>	159 lbs (72 kg)	<b>Ammonia R-717</b>	80 lbs (36 kg)	<b>Tons of Refrigeration</b>	1.20	1.25	1.30	1.40	1.50

## ICE MAKING CAPACITY RANGE GUIDELINE

Evaporator Temperature (°F)	+5	0	-5	-10	-15	-20	-25	-30
<b>Stainless Steel Model</b>	5.0 6.1	6.0 7.2	7.0 8.3	7.8 9.4	8.7 10.3	9.3 11.0	9.6 11.4	9.6 11.4
<b>Carbon Steel Model</b>	5.7 6.9	6.9 8.2	8.0 9.6	9.2 10.8	10.2 12.2	11.1 13.2	11.8 13.9	12.0 14.0

\*Capacity based on tons (2,000 pounds) per 24 hours, 1.5 to 2.0mm ice thickness, 60°F make-up water, and oil-free ammonia refrigerant. For other operating conditions and specific capacities, refer to our capacity curves or visit the Ice Maker Selection Tool on our web site at [www.northstarice.com](http://www.northstarice.com). Capacities in *italics* are 2.0mm ice thickness.

**WATER REQUIREMENT: 0.167 GPM PER TON OF ICE PER 24 HOURS**

## THERE'S ONLY ONE NORTH STAR