

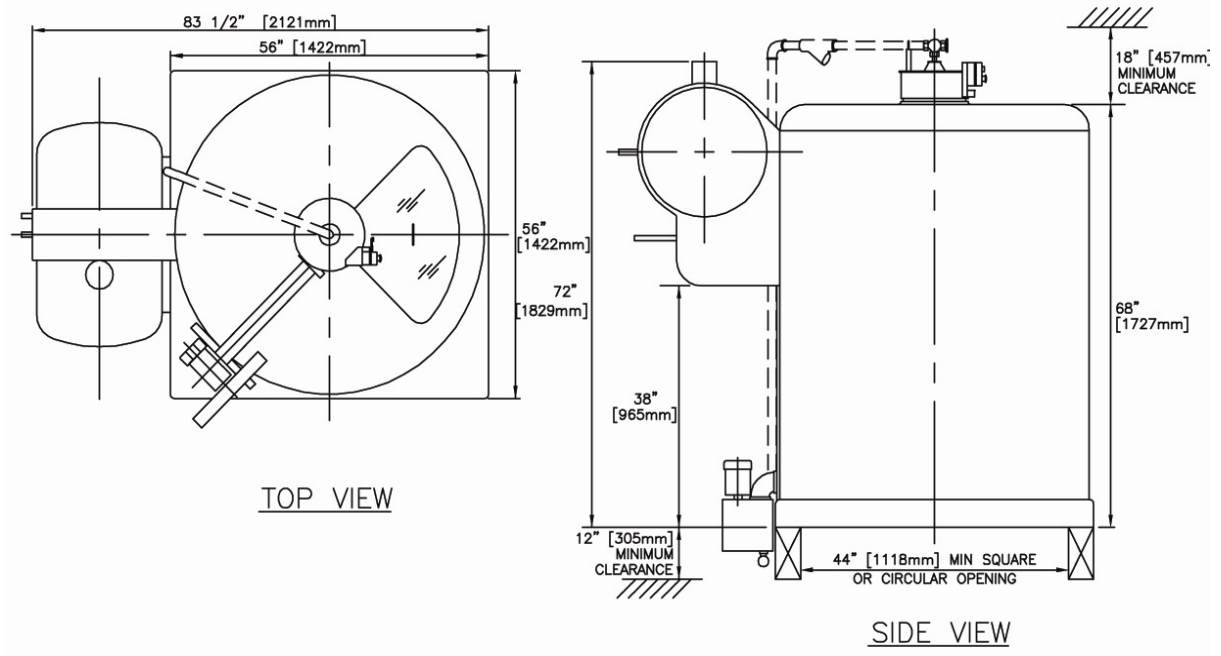
North Star.

MODEL 40 FLAKE ICE MAKER SPECIFICATION SHEET



STANDARD FEATURES

- ◆ Double walled, stationary evaporator. No refrigerant seals to leak.
- ◆ Available with either a solid carbon or stainless steel freezing surface.
- ◆ Protection and safety features include mechanical load limit switch, emergency stop switch, jog switch, inspection hatch safety switch and a drive belt guard.
- ◆ Machine available for shipboard installation to produce seawater ice.
- ◆ Polyurethane insulation enclosed in molded fiberglass covers.
- ◆ Attached accumulator for complete gas- liquid refrigerant separation. (Flooded operation)
- ◆ Patented drip shield to insure complete water-ice separation.
- ◆ Stainless steel water make-up tank and ice removal tools are standard. Other stainless steel options are available.
- ◆ Economical, compact, simple to install and operate with minimal maintenance.
- ◆ LIFETIME WARRANTY on North Star evaporators and PERFORMANCE GUARANTEE.



Carbon Steel Model	<i>9.0</i> 10.8	<i>11.0</i> 13.0	<i>13.0</i> 15.2	<i>15.0</i> 17.4	<i>17.0</i> 19.7	<i>18.8</i> 21.5	<i>20.0</i> 22.7	<i>20.7</i> 23.2

*Capacity based on tons (2,000 pounds) per 24 hours, 1.5 to 2.0mm ice thickness, 60°F make-up water, and oil-free ammonia refrigerant. For other operating conditions and specific capacities, refer to our capacity curves or visit the Ice Maker Selection Tool on our web site at www.northstarice.com. Capacities in *italics* are 2.0mm ice thickness.

WATER REQUIREMENT: 0.167 GPM PER TON OF ICE PER 24 HOURS

THERE'S ONLY ONE NORTH STAR