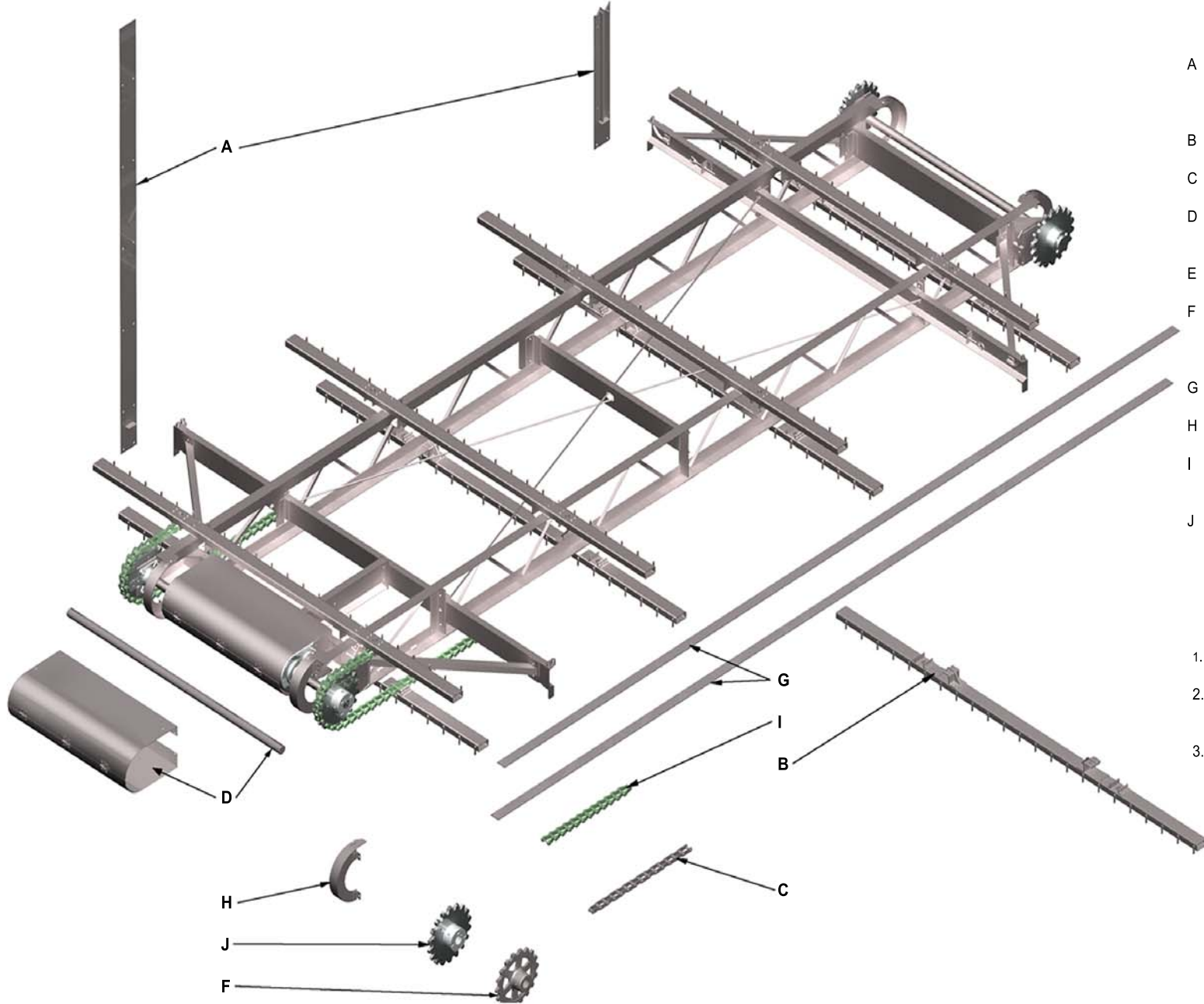


OPTIONAL STAINLESS STEEL ICE RAKE COMPONENTS



- A STAINLESS STEEL WEAR AND THRUST PLATES (THRUST PLATES HAVE VERTICAL ANGLES BOLTED TO WEAR PLATE)
- B STAINLESS STEEL RAKE FLIGHTS
- C STAINLESS STEEL RAKE CHAIN (C188)
- D STAINLESS STEEL DRIVE SHAFT AND DRIVE GUARD
- E STAINLESS STEEL BIN LINER (NOT SHOWN)
- F STAINLESS STEEL DRIVE AND IDLE SPROCKETS (USE WITH STAINLESS STEEL RAKE CHAIN ONLY)
- G STAINLESS STEEL RAKE TRUSS COVERS
- H STAINLESS STEEL RAKE TRUSS SHOES
- I PLASTIC RAKE CHAIN WITH STAINLESS STEEL PINS (NH78)
- J PLASTIC DRIVE AND IDLE SPROCKETS (USE WITH PLASTIC RAKE CHAIN ONLY)

NOTES

1. STAINLESS STEEL COMPONENTS TYPE 304.
2. PLASTIC SPROCKETS UHMW POLYETHYLENE.
3. PLASTIC RAKE CHAIN FDA APPROVED POLYMERIC.

REFERENCE DRAWING: SD02-11